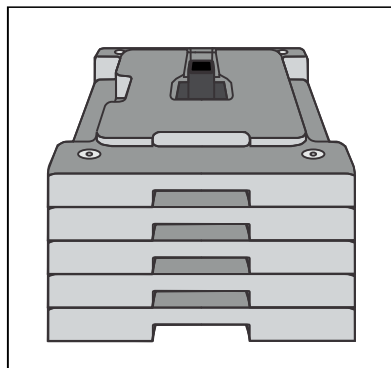


DSB100-RG - Rubber Base for Rigid Signs

FACT SHEET



NEW!



DSB100-RG Features:

- Steel and rubber construction: 43 lb. recycled rubber base with steel frame and hardware.
- Versatile design will hold a variety of rigid sign shapes (diamond, octagon, square and rectangular) that are mounted to a standard pre-drilled 1-3/4" sq. plastic or steel vertical mast tube (sold separately).
- DSB100-RG-POST post will also accommodate standard barricade boards for custom work zone protection areas.
- Post connects to base with a locking pin making set-up and take down quick and easy.
- Bases interlock when stacked for easy storage and trouble-free transport.
- Integrated carry handles.



DICKE SAFETY PRODUCTS

www.dicketool.com

Illinois - 1201 Warren Avenue • Downers Grove, IL 60515 • Ph: 630.969.0050 • Fax: 630.969.3973
Oregon - 1845 Anunsen Street, N.E. • Salem, OR 97301 • Ph: 800.333.5641 • Fax: 503.364.0340