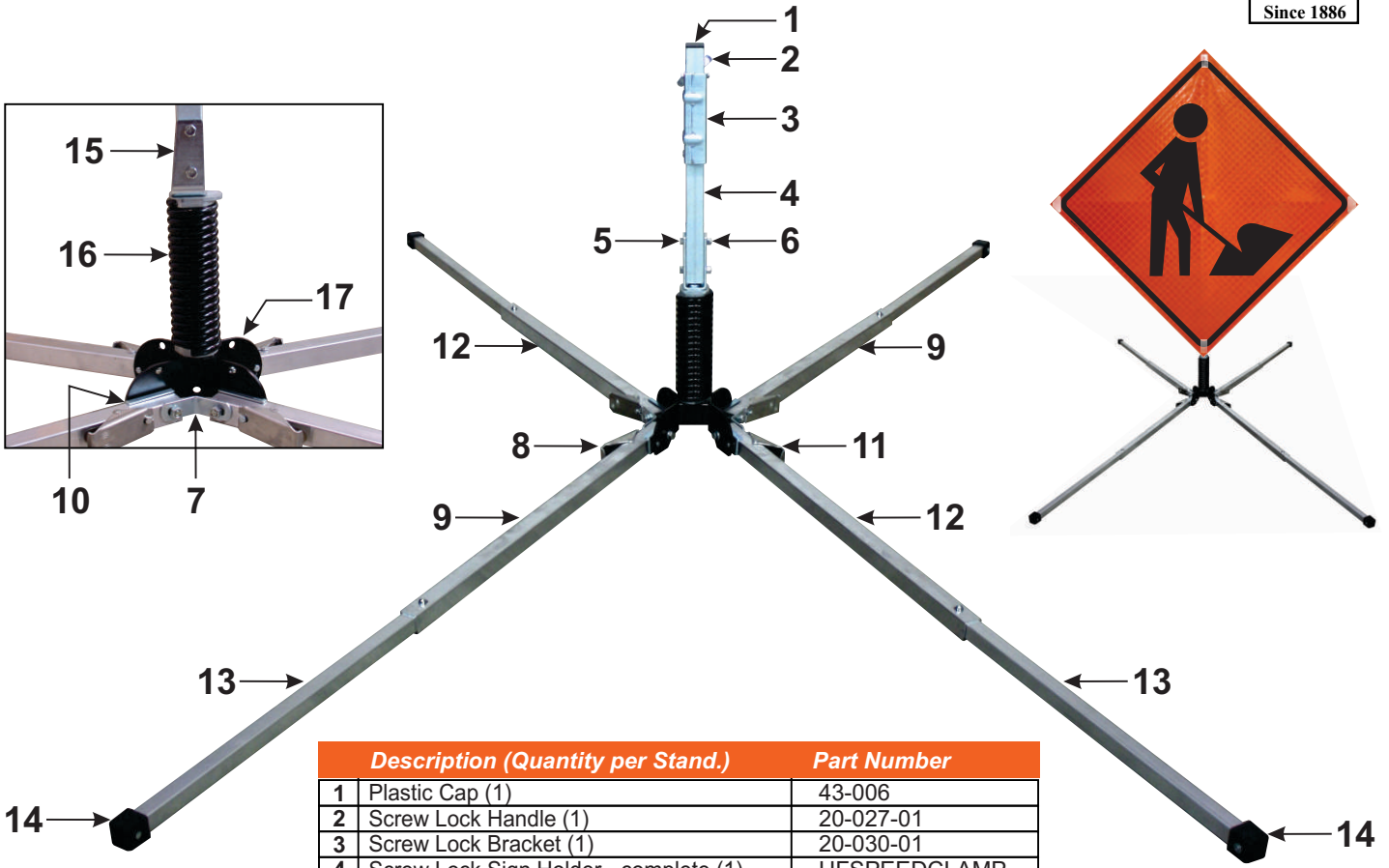


UF2000W Sign Stand

PARTS LIST



	Description (Quantity per Stand.)	Part Number
1	Plastic Cap (1)	43-006
2	Screw Lock Handle (1)	20-027-01
3	Screw Lock Bracket (1)	20-030-01
4	Screw Lock Sign Holder - complete (1)	UFSPEEDCLAMP
5	Bolt (2)	91-007
6	Nut (2)	92-021
7	Leg Brace (2)	20-003-01
	Leg Bolt (4)	91-012
	Lock Nut (4)	92-006
	Flat Washer (4)	92-041
	Split Washer (4)	92-036
8	Right Kick Release (2)	34-001-01
	Kick Release Pin (4)	12-004-01
	Kick Release Rivet (4)	95-007
	Kick Release Spring (4)	18-001-01
9	Right 1-1/4" Leg w/Kick Release Asmbly.(2)	ULR-30
10	Leg Bracket (4)	20-001-01
11	Left Kick Release (2)	34-001-02
12	Left 1-1/4" Leg w/Kick Release Asmbly.(2)	ULL-30
13	Extension Leg w/Button and Leg Tip (4)	UEL-25
14	Leg Tip Only (4)	43-019
	Leg Tip Rivet (4)	95-008
	Leg Tip Washer (4)	92-001
15	U-Bracket (1)	20-025-01
16	Spring Assembly (1)	UF2000-SPRING
17	Base (1)	UF2000-BOT



DICKE SAFETY PRODUCTS

www.dicketool.com

Illinois - 1201 Warren Avenue • Downers Grove, IL 60515 • Ph: 630.969.0050 • Fax: 630.969.3973
 Oregon - 1845 Anunsen Street, N.E. • Salem, OR 97301 • Ph: 800.333.5641 • Fax: 503.364.0340